

# LUBP series – Back Pressure Relief Valve

LECOL back pressure relief valve - LUBP provides an adjustable inlet pressure ensuring each analyzer receives a stable flow rate and maintains the system easily. An excellent back pressure relief valve allows any analyzers to suspend at any moment without interrupting other analyzers or productions. It creates an extra vessel to make surplus liquid flow to the system to maintain production.

In the standard mode, the liquid also flows from the exhaust port, which allows serve as a manual sampling point or grab sample. This source pressure will depend on flow to increase or decrease.



## Constant Flow Management

The severe pressure reduction is held by a pressure reducer(LUPR) or needle valve.

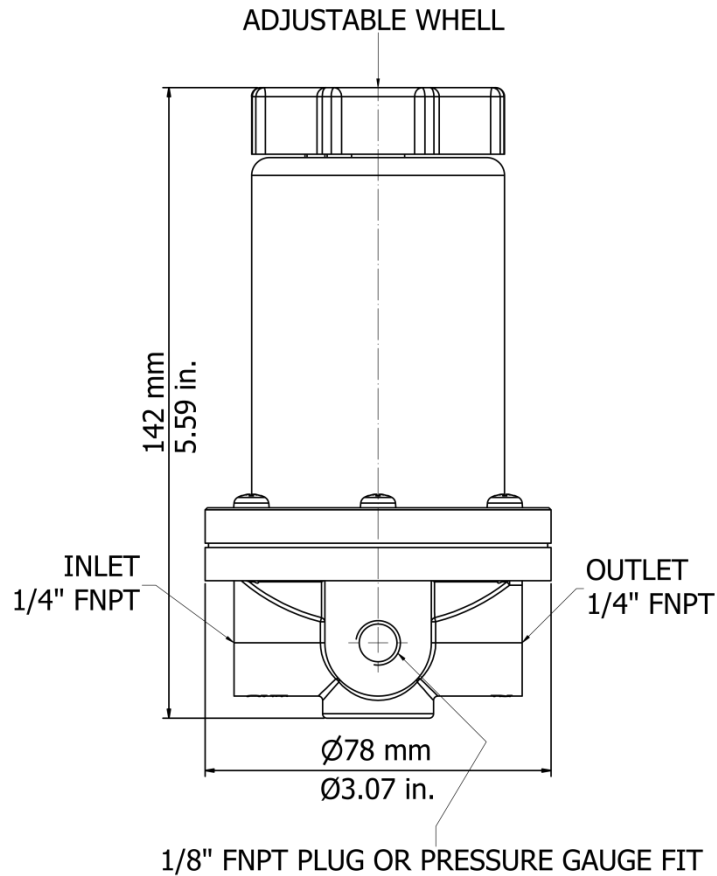
However, LUBP only needs to control pressure between 1.2~2.4 Kg/Cm<sup>2</sup>, which can make the system pressure controlled accurately, eliminating potential plugging and ensuring high reliability.

For analyzers in certain applications such as Silica, a single back pressure relief valve like LUBP series can guarantee constant sample inlet pressure to the analyzer, which significantly improves the accuracy.

## Features

- Rugged design SS316 wetted parts
- Easily adjustable relief pressure
- Ensure constant flow for analyzers
- Optional integral pressure gauge
- Large area diaphragm design to keep constant pressure stable
- Accurate adjustment with visualized pressure reading
- Less prone to plugging and sticking than a pressure reducing valve

## Dimension



## Specification

Model	Material Wetted Part Diaphragm Housing	Process Connection	Relieving Pressure	Net Weight	Optional
LUBP	316SS EPDM Anodized Aluminum	1/4 in. FNPT	1.2 ~ 2.4 Kg/Cm <sup>2</sup> (Adjustable with hand wheel)	1.3 Kg	Integral pressure gauge

\*LECOL reserve the right to make technical changes or modify the contents of this document without prior notice.



**Luh Cherng Enterprises co., Ltd.**

No. 42, Mei-shan Rd., Niasong Dist., Kaohsiung  
City 83346, Taiwan

TEL : +886 7 7336377 FAX : +886 7 7336353

E-mail : sales@lecoltw.com

Website : [www.lecoltw.com](http://www.lecoltw.com)

