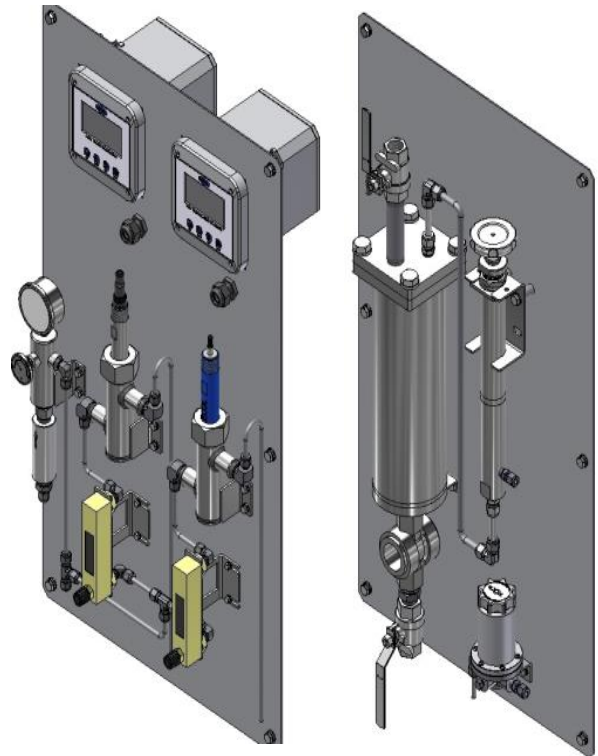


Single-line sampling

conditioning analysis system with pH/conductivity analyzer

- **Sample cooler**
- **Pressure reducer**
- **Back pressure relief valve**
- **Sample flow indicator**
- **Resin column**
- **pH analyzer**
- **Conductivity analyzer**



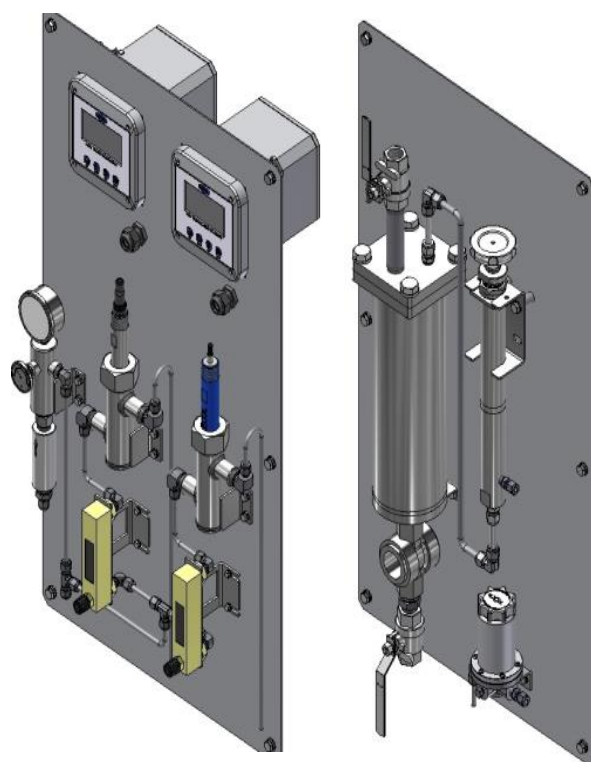
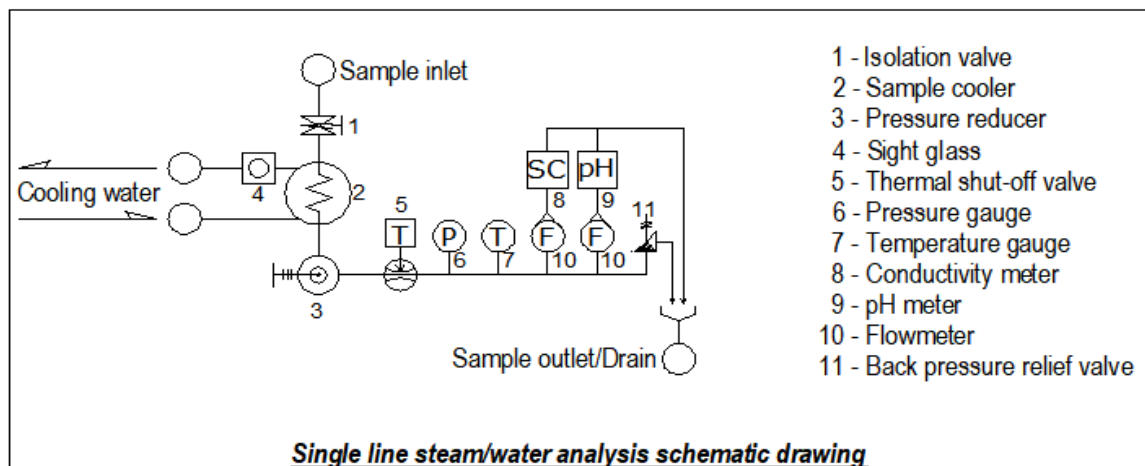
All others necessary accessories in sampling analysis panel upon customer request.

Applications- for those process conditions which the operating temperature and pressure are higher than analysis sensor specifications; it is recommended to import into a Sampling system to reduce the process temperature and pressure and to protect analysis sensor and operators.

Provide the information below and LECOL will give you a solution :

- 1. Sample fluid**
- 2. Operating pressure**
- 3. Operating temperature**
- 4. Analysis parameters**
- 5. Mounting method**
- 6. Hazardous area or not**
- 7. Analyzers or not**

The following diagram shows a brief sketch for the system; LEDOL provides all the necessary components for the system and even the analyzers.



FEATURE

- Maximum process temperature :500deg.C
- Maximum process pressure : 350 barg.G
- Analyzers : pH/ORP, conductivity, dissolved Oxygen(option)
- Mounting method : free stand rack or single plate to be mounted on existing rack.

LECOL single line analysis panel is pre-assembled and tested by factory in a simple plate which can be mounted on the field rack or panel or can be shipped with an independent rack upon customer requested; give us the process conditions, LECOL will provide the solution for customer.

All the sampling components items can be installed upon customer requested and tested by factory.

Mounting panel or stand rack can customized per customer request.

Luh Cherg Enterprises co., Ltd.

No. 42, Mei-shan Rd., Niasong Dist., Kaohsiung

City 83346, Taiwan

TEL : +886 7 7336377 FAX : +886 7 7336353

E-mail : sales@lecoltw.com

Website : www.lecoltw.com

