

96COND Conductivity Transmitter

- Large LCD display
- Friendly interface
- Robust enclosure
- Easy to use menus
- Multiple mounting methods
- Two-Wire loop power

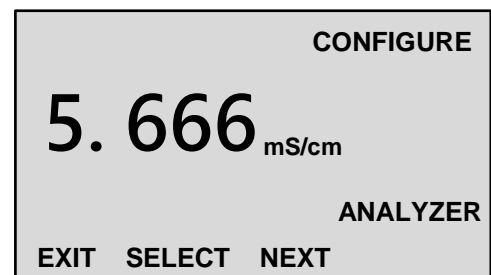
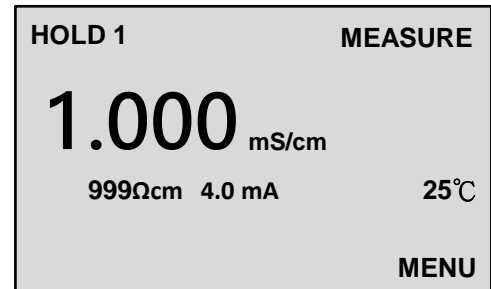


LECOL 96 series was designed with the user in mind. Measurement information is easily read on the large liquid crystal display (LCD).

The graphic LCD screen can display multiple parameters simultaneously, including conductivity value, mA output signal, temperature, Ω -cm, and smart function keys.

96 series transmitter's keypad interface is user friendly. The smart function keys can be used to navigate to three submenus: "calibrate", "output", and "configure".

The "calibrate" submenu is for sensor and output signal calibration. During calibration, output signals can be paused in "Output". All measuring parameters can be set through "Configure".



Enclosure

The powder coated alloy housing meets NEMA 4X and IP65 requirements for use in harsh, industrial environments.

The metal housing suppresses noise and prevents the interference caused by electromagnetic environment.



Mounting Methods

Pipe, wall, and panel mounting options are available to provide flexibility in different installation scenarios.

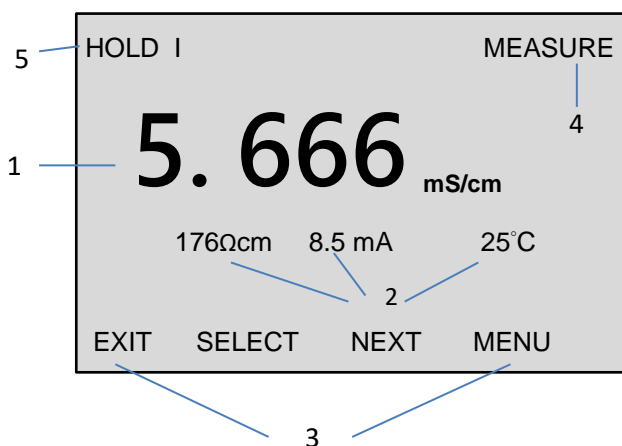
Calibration

Calibration is the process of adjusting the analyzer for accurate measurement. It can be conducted by two methods - comparison with a laboratory instrument or calibration of the sensor in a liquid standard.

Slope adjustments are easily made through a one point calibration using commonly available liquid conductivity standards.

The calibration mode of 96COND transmitter provides the ability to calibrate the sensor input, temperature input, and transmitter output. These functions, referred to as calibrate states, include Process Variable calibration, temperature calibration, edit calibration, reset calibration, and output calibration.

Main screen displays



1. **Main display** – Display of primary measurement
2. **Minor display** – Additional measurements
3. **Function keys** – Select submenus:
Calibrate
Output
Configure
4. **Current mode** – Mode in use
5. **Hold Output** – Manual hold output at a specific value.

LECOL



Selection Keys

There are four selection keys under the screen – EXIT, SELECT, NEXT, MENU. Use the selection keys to:

1. EXIT: To quit, cancel the function
2. SELECT: To select measurement function
3. NEXT: To continue the setting process
4. MENU: To select different measurement modes: calibration mode, output mode, and configuration mode



EXIT



SELECT



NEXT



MENU

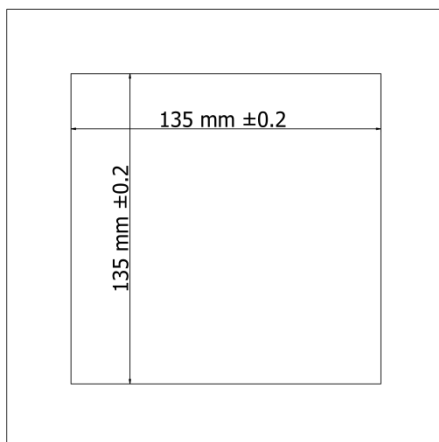
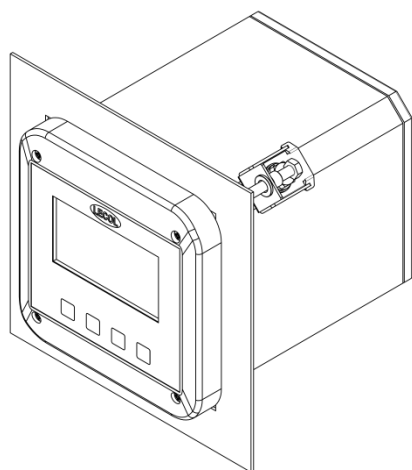
Specifications

Type	Two-Wire conductivity transmitter	Minimum span	0.01 cell : 1 μS/cm
Display	240*128 dots graphic LCD display		0.1 cell : 10 μS/cm
Supply voltage	12~24 VDC, loop power		1.0 cell : 100 μS/cm
Power consumption	0.6W Maximum	Lower display	Temperature, resistivity, current output
Input range		Environmental	Operating temperature : -10 ~ 50 °C
0.01 cell :	0~ 200 μS/cm		Storage temperature : -20 ~ 70 °C
0.1 cell :	0~ 2000 μS/cm		Operating humidity : 95% RH
1.0 cell :	0~ 20000 μS/cm		Storage humidity : 95% RH
Display resolution		Enclosure	NEMA 4X and IP65
0.01 cell :	0.001 μS/cm		Aluminum alloy with polyester powder coating
0.1 cell :	0.01 μS/cm	Mounting	Panel, wall, pipe, and pipe mounting with weather shield
1.0 cell :	0.1 μS/cm	Certification	Low Voltage Directive 2014/35/EU
Accuracy	+/- 2% of F.S.		EN 61010-1:2010
	+/- 1 °C		Electromagnetic Compatibility Directive
Temperature compensation	Manual, Automatic		2014/30/EU EN 61326-1:2013 CE marked
Temperature sensor types	3kΩ Balco / PT100 / PT1000	Dimensions	
Analog output	Isolated 4~20mA current output	Size	: 144*144*177mm (H*W*D)
Configurable conductivity range	0 ~ 200 μS/cm, 0 ~ 2000 μS/cm, 0 ~ 20000 μS/cm	Panel cut	: 135*135(±0.2) mm
		Weight	2.2 kg
			3 kg with pipe mounting kits

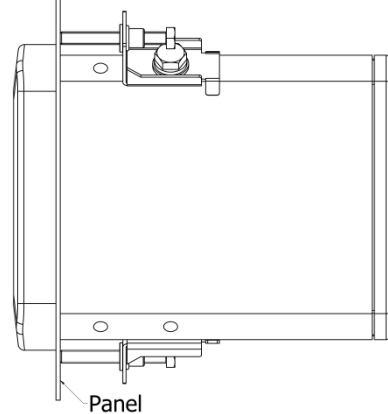
LECOL

Mounting types

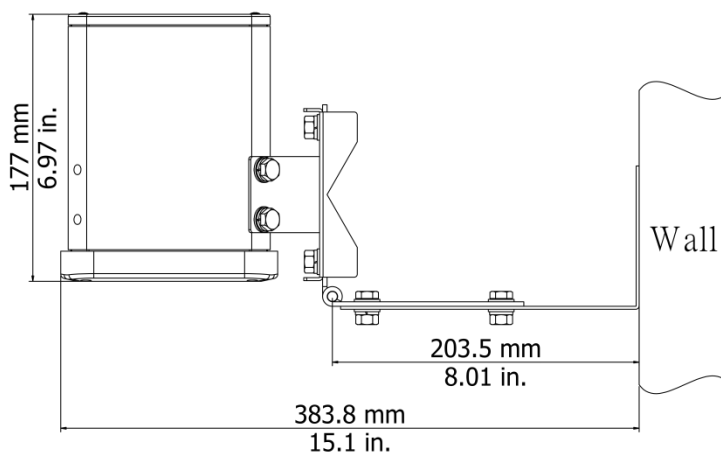
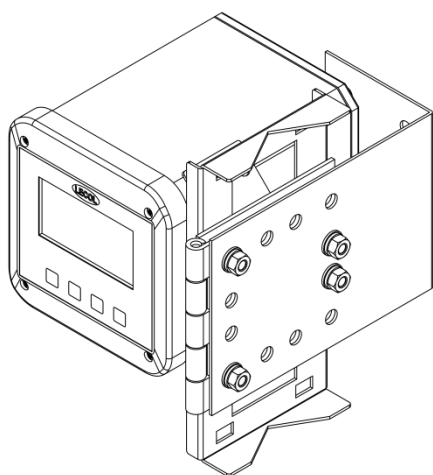
Panel mounting



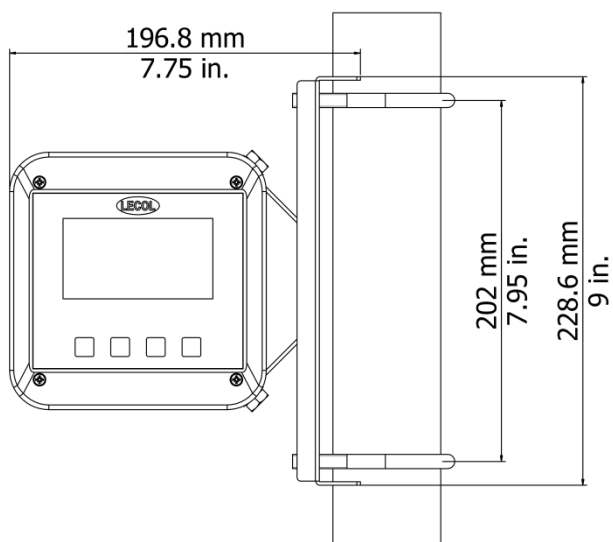
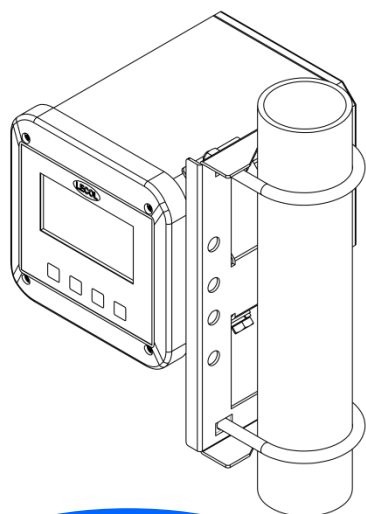
20mm(0.79 in.) max. panel thickness



Wall mounting

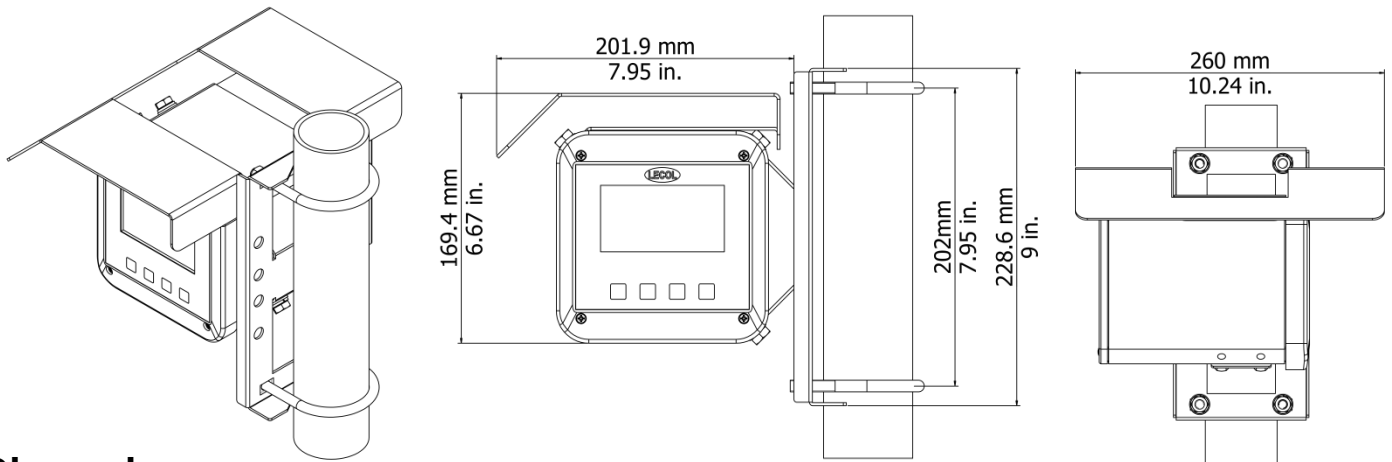


Pipe mounting

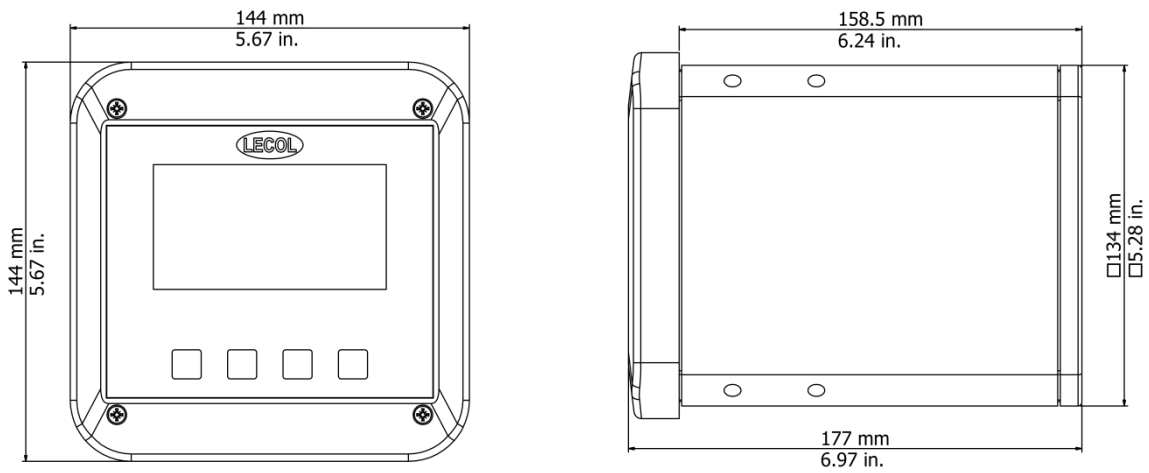


LECOL

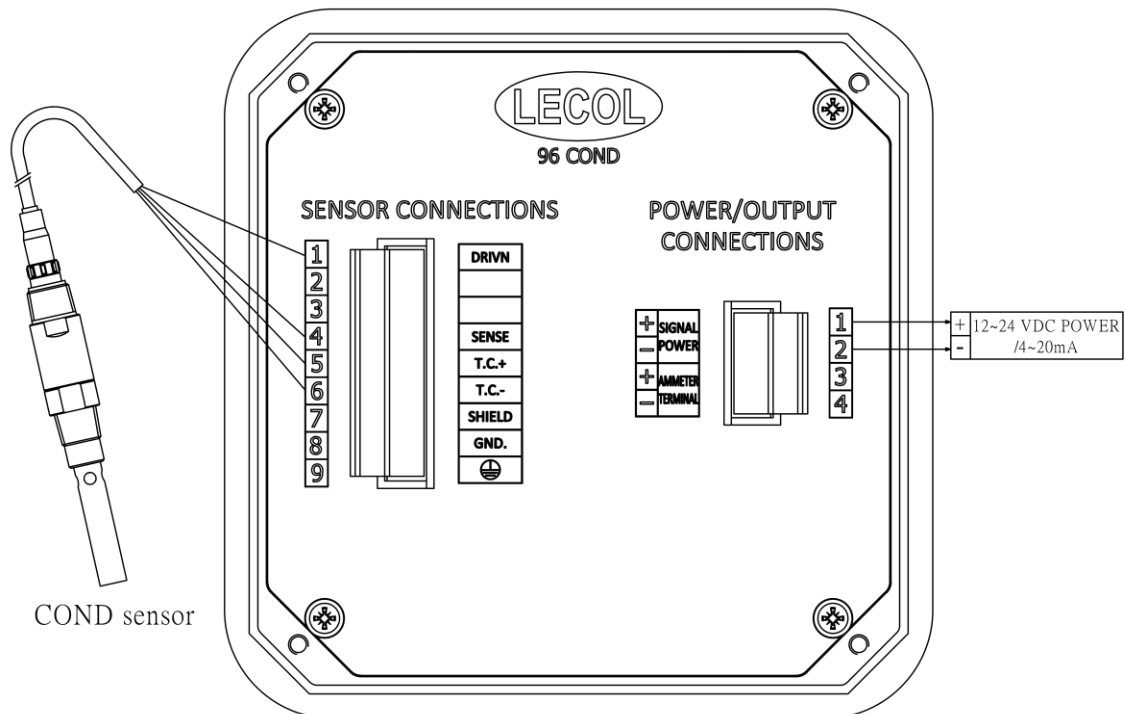
Pipe mounting with weather shield



Dimensions



Electrical & sensor wiring



Ordering information

Two-Wire Conductivity Transmitter		(-)	(-)	(-)	(-)	(-)
Model : 96 COND		(-)	(-)	(-)	(-)	(-)
A	Programming options	(A)				
0	Basic					
1	Advanced					
B	Mounting type		(B)			
0	Panel mounting					
1	Wall mounting					
2	Pipe mounting					
3	Pipe mounting with weather shield					
C	Instruction manual			(C)		
0	Chinese (traditional)					
1	English					
D	Others				(D)	
0	None					
1	Cable glands					
2	S.S. electrical adaptor -1/2" NPT					
E	Identification Tag					(E)
0	None					
1	Stainless Steel					

*LECOL reserve the right to make technical changes or modify the contents of this document without prior notice.



Luh Cherng Enterprises co., Ltd.

No. 42, Mei-shan Rd., Niasong Dist., Kaohsiung
City 83346, Taiwan

TEL : +886 7 7336377 FAX : +886 7 7336353

E-mail : sales@lecoltw.com

Website : www.lecoltw.com

