

B65 pH/ORP Sensor

LECOL B65 pH/ORP sensor is designed for harsh environments. It can be used in the following:

- Neutralization process
- Waste emission
- Flue gas desulfurization
- Sewage effluent
- Waste water treatment



The PVDF body of the B65 sensor is rigid and durable. It can be installed in line directly via its 3/4 inch NPT thread or immersed directly into the process liquid.

Variety of glass electrodes

LECOL B65 pH/ORP sensor offers seven types of glass electrode for different applications:

Hydrofluoric acid resistant	For Hydrofluoric acid environment
Coating resistant hemi-glass	Coating resistant, Regular process water
Low temperature glass	Temperature range in -20 to 50°C (2-11 pH)
Platinum glass	Redox(ORP) measurement
Coating resistant flat-glass	Coating resistant, Regular process water flat glass

LECOL

Solid state reference electrode

LECOL B65 sensors include a large Teflon liquid junction.

The large surface area of the junction reduces coating and plugging ensuring longer sensor life when compared to other designs.

The special solid state reference design prevents contamination from the process liquid in applications with strong oxidizers, sulfides, acids, and bases.

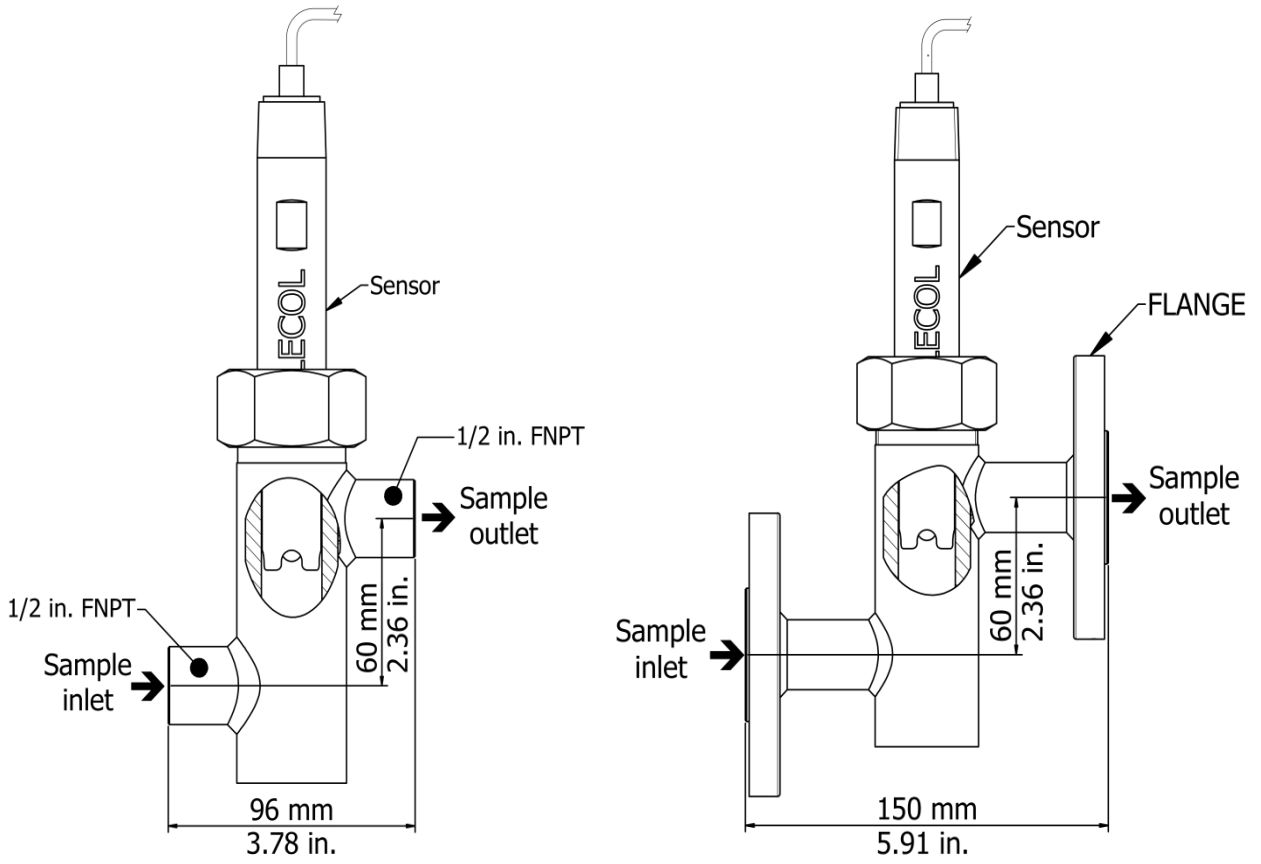
Specifications

Measuring range:	pH: 0 ~ 14pH ORP: - 2000~2000 mV
Body material:	PVDF
Liquid junction:	Wood notched Teflon notched
Temp. compensator:	PT100 PT1000
Operating temperature:	< 130 °C
Operating rating:	10 kg/cm ² at 70 °C 2.8kg/cm ² at 130 °C
Process connection:	3/4 in. NPT



LECOL

Recommended installation

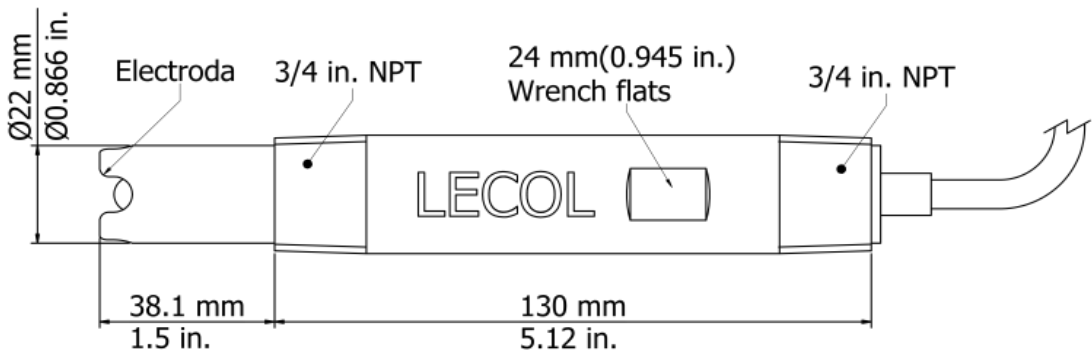


Flow chamber- 1/2 in. FNPT connection

Flow chamber- Flange connection

Note: All flow chambers include a lock nut adapter. The adapter prevent cable damage durign sensor installation.

Dimensions



LECOL

Ordering information

pH/ORP sensor Model: B65	(-)	(-)	(-)	(-)	(-)
A Measuring electrode 1 pH – Hydrofluoric Acid Resistant 2 pH – Coating Resistant, Standard Hemi-glass 3 pH – Low temperature (-20 to 50°C) (2 - 11 pH) 4 ORP – Platinum ORP 6 pH – Coating Resistant, flat-glass	(A)				
B Temperature compensator 0 None 1 PT100, tinned leads 2 PT1000, tinned leads		(B)			
C Liquid Junction 1 Wood notched 2 Teflon notched			(C)		
D Cable length 0 10 cm with quick connector, connect with extension cable 1 3M 2 6M 3 9M				(D)	
E Accessory 0 None Flow Chamber 316 SS 1 1/2 in. FNPT _____ P/N: LEFCB6-ST12 2 1/2 in. 150#RF _____ P/N: LEFCB6-SF12 3 3/4 in. 150#RF _____ P/N: LEFCB6-SF34 4 1 in. 150#RF _____ P/N: LEFCB6-SF11 8 Junction Box _____ P/N: LEJB Others <input type="radio"/> <input type="radio"/> Customized Accessory *Other Flow chamber size available consult factory*					(E)

*LECOL reserve the right to make technical changes or modify the contents of this document without prior notice.



Luh Cherng Enterprises co., Ltd.

No. 42, Mei-shan Rd., Niasong Dist., Kaohsiung
City 83346, Taiwan

TEL : +886 7 7336377 FAX : +886 7 7336353

E-mail : sales@lecoltw.com

Website : www.lecoltw.com

