

B75 pH/ORP Sensor

LECOL B75 pH/ORP sensor is offers controlled insertion and retraction in the process. The application scenarios are as follows:

- **Recirculation piping**
- **Large pipes without sample lines**
- **Tank side mounting**
- **Cooling water circulation**



LECOL B7X series pH sensor are installed directly into pressurized processes through a 1-1/4" ball valve assembly. The sensor design has a flared safety tip which prevents accidental ejection during removal of the sensor from the process.

LECOL B7X series pH sensor use a corrosion resistant PVDF body. The sensor installs within a reusable metallic outer sheath. The sheath is offered in a variety of lengths depending upon the insertion length needed for the application

Variety of glass electrodes

LECOL B75 pH sensor provides seven types of glass electrodes for different applications:

Hydrofluoric acid resistant	For Hydrofluoric acid environment
Coating resistant hemi-glass	Coating resistant, Regular process water
Low temperature glass	Temperature range in -20 to 50°C (2-11 pH)
Platinum glass	Redox(ORP) measurement
Standard hemi-glass with temp. inside	Coating resistant, PT100 temperature sensor inside glass for quick temperature respond.
Coating resistant flat-glass	Coating resistant, Regular process water flat glass

LECOL

Solid state reference electrode

LECOL B75 sensors include a large Teflon liquid junction.

The large surface area of the junction reduces coating and plugging ensuring longer sensor life when compared to other designs.

The special solid state reference design prevents contamination from the process liquid in applications with strong oxidizers, sulfides, acids, and bases.

Specifications

Material :

Outer sleeve: 316LSS, Hastelloy C
Compression fitting: 316LSS, C276, Titanium
Inner sensor body: PVDF
O-ring: Viton, FFKM (Optional)

Sleeve length :

16"(standard)/ 24" / 32" / 36 " / Customized

Reference type: Solid state

Liquid junction: Wood notched /
Teflon notched

Temp. compensator: PT100

PT1000

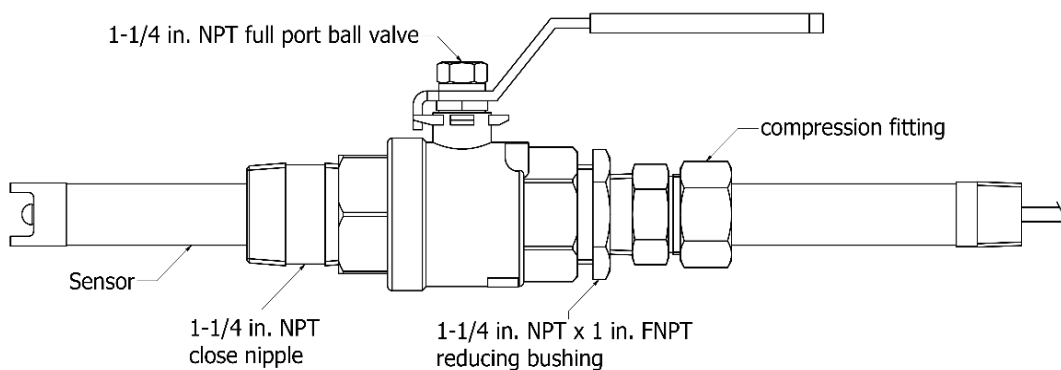
Operating temperature: < 100 °C

Operating rating : 10 kg/cm² at 70 °C
2.8kg/cm² at 130 °C

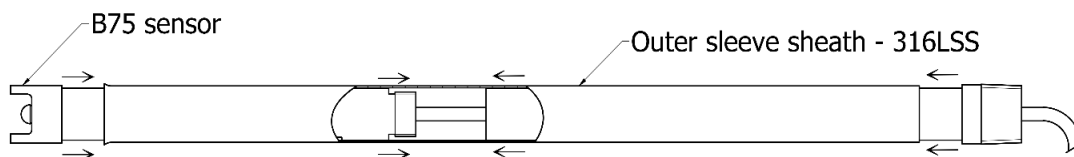


LECOL

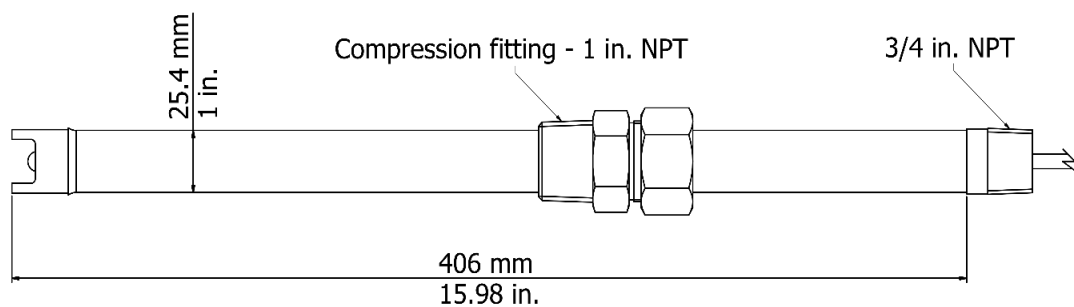
Recommended installation



Dimensions



B75 pH sensor assembly



B75 pH sensor - 16" length

LECOL

Ordering information

pH/ORP sensor		(-)	(-)	(-)	(-)	(-)	(-)	(-)
Model: B75								
A Measuring electrode								
1	pH – Hydrofluoric Acid Resistant							
2	pH – Coating Resistant, Standard Hemi-glass							
3	pH – Low temperature (-20 to 50°C) (2 - 11 pH)	(A)						
4	ORP – Platinum ORP							
5	pH – Coating Resistant, Hemi-glass with PT100 temperature inside glass							
6	pH – Coating Resistant, flat-glass							
B Temperature compensator								
0	None							
1	PT100, tinned leads	(B)						
2	PT1000, tinned leads							
C Liquid Junction								
1	Wood notched							
2	Teflon notched			(C)				
D O-ring material								
0	Viton							(D)
1	FFKM							
E Sleeve length								
0	None, spare sensor only							
1	16 in. Hot tap _____					P/N:LEIV-01		
2	24 in. Hot tap _____					P/N:LEIV-02		
3	32 in. Hot tap _____					P/N:LEIV-03		(E)
4	36 in. Hot tap _____					P/N:LEIV-04		
5	16 in. Hot tap, for higher temperature _____					P/N:LEIV-11		
6	24 in. Hot tap, for higher temperature _____					P/N:LEIV-12		
S	Customized length							
F Compression fitting								
0	None							
1	316 SS with Viton O-ring _____					P/N: LECFSS-V		
2	316 SS with FFKM O-ring _____					P/N: LECFSS-F		
3	Titanium with Viton O-ring _____					P/N: LECFTS-V		(F)
4	Titanium with FFKM O-ring _____					P/N: LECFTS-F		
5	C276 with Viton O-ring _____					P/N: LECFHS-V		
6	C276 with FFKM O-ring _____					P/N: LECFHS-F		
G Isolation Valve								
0	None							
1	316SS, 1-1/4 in. NPT _____ (includes 1" to 1-1/4" reducing bushing & 1-1/4" nipple)					P/N: LEIV-B01		
2	316SS, 1-1/2 in. NPT _____ (includes 1-1/2" to 1" reducing bushing & 1-1/2" nipple)					P/N: LEIV-A01		(G)
S	Customized Size							

*LECOL reserve the right to make technical changes or modify the contents of this document without prior notice.

Ordering information

pH/ORP sensor		(-)	(-)
Model: B75			
H Cable length			
0	10 cm cable with quick connector, need extension cable		
1	3M		
2	6M		
3	10M	(H)	
4	15M		
5	30M		
S	Customized length		
I Accessory			
0	None		(I)
1	Junction Box _____	P/N: LEJB	

*LECOL reserve the right to make technical changes or modify the contents of this document without prior notice.



Luh Cherng Enterprises co., Ltd.

No. 42, Mei-shan Rd., Niasong Dist., Kaohsiung

City 83346, Taiwan

TEL : +886 7 7336377 FAX : +886 7 7336353

E-mail : sales@lecoltw.com

Website : www.lecoltw.com

