

LE92 2-electrode Conductivity Sensor

LECOL LE92 2-electrode conductivity sensor was designed for in-line or retractable installations with 3/4 inch NPT process connection and for hot-tap style insertion with 1-1/4 inch isolation valve.

316 SS (in-line) or 316L SS (retractable) body materials as well as 316 SS electrodes are compatible with most measurement applications. Several different cell constant provide different measuring ranges from 0~2 $\mu\text{S}/\text{cm}$ to 0~2000 $\mu\text{S}/\text{cm}$. Temperature compensation within the sensor ensures accurate measurement in changing processes. A choice of PT100 / PT1000 temperature elements allows compatibility with all major brands of transmitters.

The 2-electrode conductivity sensors are best suited for low conductivity applications such as purified water. The PEEK insulation can be used at higher temperatures up to 120 °C.



Measurement range

Cell = 0.01 0~2 to 0~200 $\mu\text{S}/\text{cm}$

Cell = 0.1 0~20 to 0~2000 $\mu\text{S}/\text{cm}$

Applications

- **Pure water (low conductivity)**
- **Caustic & salt conductivity**
- **Caustic & salt concentration**
- **Oil and water interface**
- **Clean-in-place control**
- **Liquid interface**

LECOL

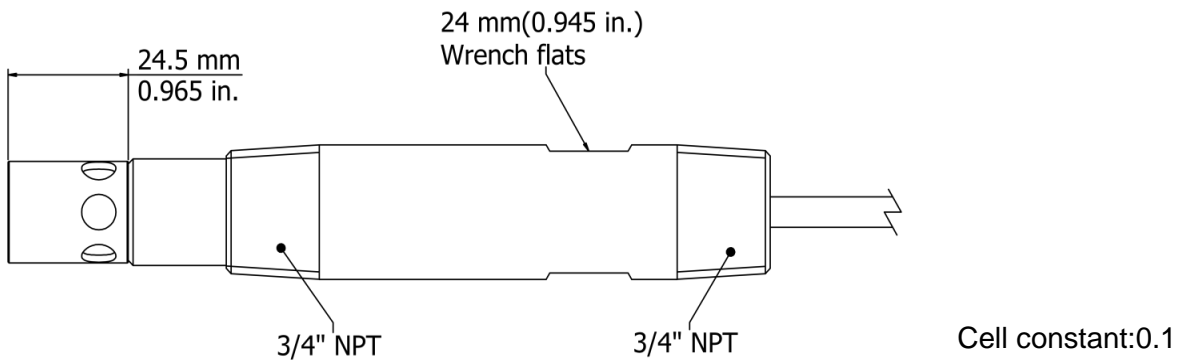
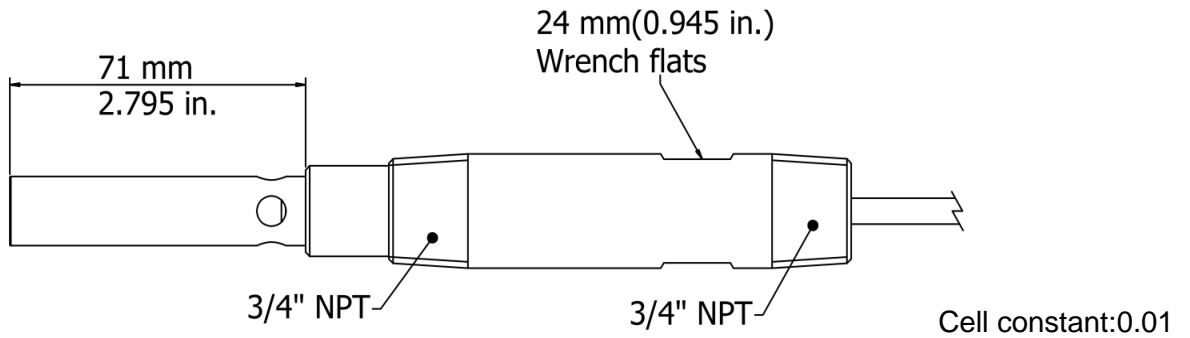
Specifications

Material:	Body: 316 SS(In-line), 316L SS(Hot tap) Electrodes: 316 SS O-ring: Viton, FFKM(Optional) Insulator: PEEK
Retractable body length:	16" (standard), 24", 32" and 36" (optional)
Temperature element:	PT100 / PT1000
Operating pressure:	< 10kg/cm ² , In-line type < 5 kg/cm ² , Hot tap type
Operating temperature:	< 200 °C, In-line type < 120 °C, Hot tap type
Accessory (optional):	In-line mounting : flow chamber with FNPT threaded connection or flange connection flow chamber. Retractable: isolation ball valve

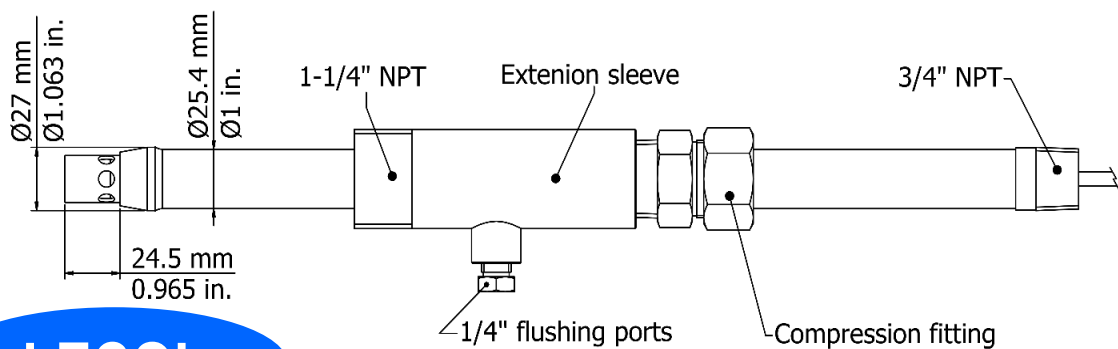
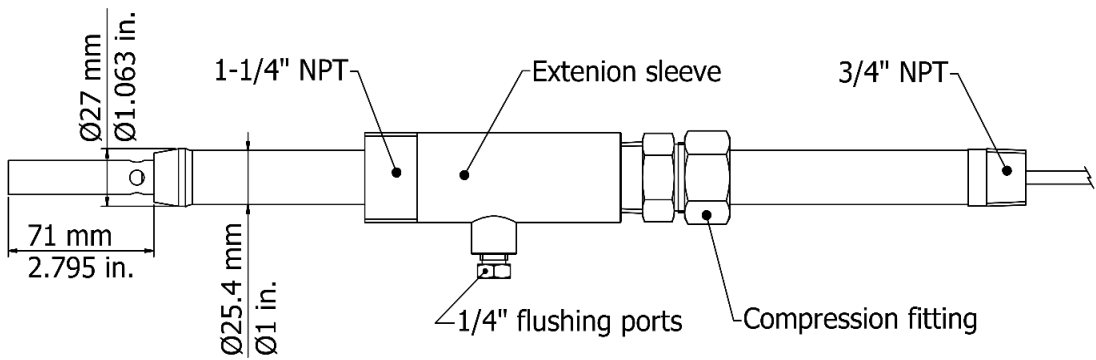


LECOL

In-line/ Immersion type

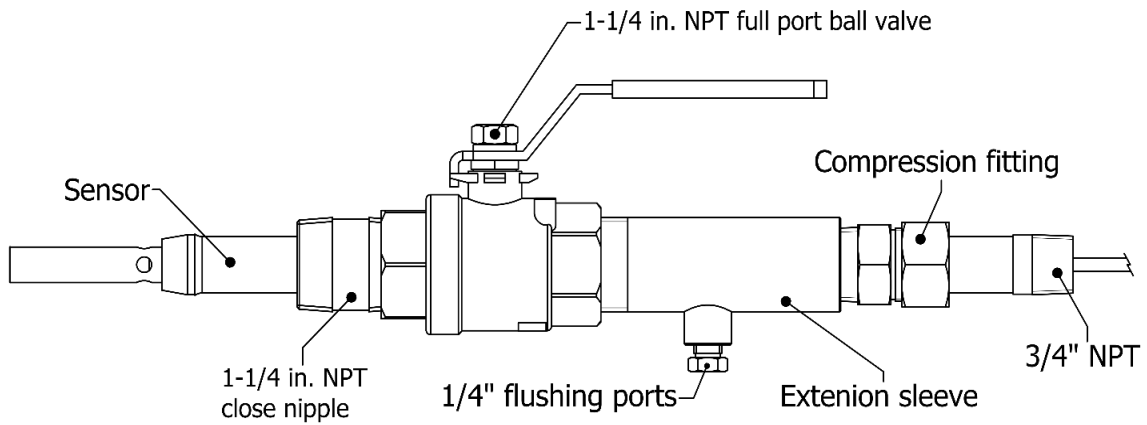


Hot tap insertion type

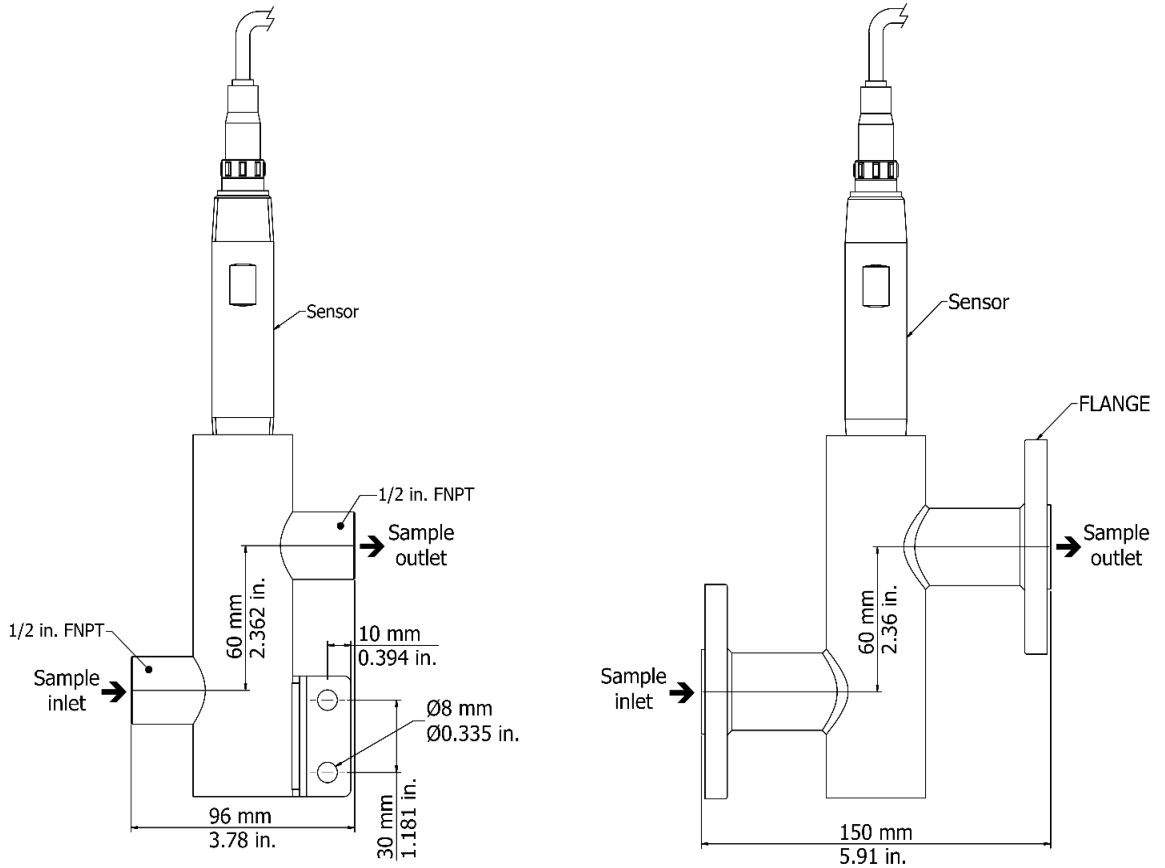


LECOL

Hot Tap insertion



Installation



Flow chamber- 1/2 in. FNPT connection

Flow chamber- flange connection



Ordering information

2-electrode Conductivity Sensor Model: LE92		(-)	(-)	(-)	(-)	(-)	(-)	(-)
A	Body style	(A)						
0	In-line / Immersion type							
1	Hot-Tap insertion							
B	Cell constant	(B)						
0	0.01: 0~2 to 0~200 $\mu\text{S/cm}$							
1	0.1 : 0~20 to 0~2000 $\mu\text{S/cm}$							
C	Temperature compensator	(C)						
0	None							
1	PT100, tinned leads							
2	PT1000, tinned leads							
D	O-ring Material	(D)						
0	Viton							
1	FFKM							
E	Outer Sleeve sheath	(E)						
0	None, In-line / Immersion							
1	16 in. Hot tap	_____	P/N: LEIV-01					
2	24 in. Hot tap	_____	P/N: LEIV-02					
3	32 in. Hot tap	_____	P/N: LEIV-03					
4	36 in. Hot tap	_____	P/N: LEIV-04					
5	16 in. Hot tap, for higher temperature	_____	P/N: LEIV-11					
6	24 in. Hot tap, for higher temperature	_____	P/N: LEIV-12					
S	Customized length							
F	Compressing fitting/ O-ring, Hardware	(F)						
0	None							
1	316 SS with Viton Oring	_____	P/N: LECFSS-V					
2	316 SS with FFKM O-ring	_____	P/N: LECFSS-F					
3	Titanium with Viton O-ring	_____	P/N: LECFTS-V					
4	Titanium with FFKM O-ring	_____	P/N: LECFTS-F					
5	C276 with Viton O-ring	_____	P/N: LECFHS-V					
6	C276 with FFKM O-ring	_____	P/N: LECFHS-F					
G	Isolation Valve	(G)						
0	None							
1	316 SS, 1-1/4 in. NPT (includes 1" to 1-1/4" reducing bushing & 1-1/4" nipple)	_____	P/N: LEIV-B01					
2	316 SS, 1-1/2 in. NPT (includes 1-1/2" to 1" reducing bushing & 1-1/2" nipple)	_____	P/N: LEIV-A01					
S	Customized Size							

Ordering information

2-electrode Conductivity Sensor Model: LE92		(-)	(-)
H Cable length		(H)	
0	No cable, Junction Box		
1	3M		
2	6M		
3	10M		
4	15M		
5	30M		
S	Customized length		
I Accessory			
0	None		
1	316SS Flow chamber, 1/2 in. NPT connection	_____ P/N:LEFC24-ST12	(I)
2	316SS Extension sleeve length 70 mm	_____ P/N:LEX70	
3	316SS Extension sleeve length 125 mm	_____ P/N:LEX125	

*LECOL reserve the right to make technical changes or modify the contents of this document without prior notice.



Luh Cherng Enterprises co., Ltd.

No. 42, Mei-shan Rd., Niasong Dist., Kaohsiung
City 83346, Taiwan

TEL : +886 7 7336377 FAX : +886 7 7336353

E-mail : sales@lecoltw.com

Website : www.lecoltw.com

