

## **LE94 4-electrode Conductivity / Concentration Sensor**

**LECOL LE94 4-electrode Conductivity / Concentration Sensor was designed for higher range conductivity applications. The applications include the following:**

- **Caustic & salt conductivity**
- **Caustic & salt concentration**
- **Oil and water interface**
- **Clean-in-place control**
- **Liquid interface**



The 4-electrode sensor design offers improvements over 2-electrode products. The extra pair of electrodes compensates for polarization of ions within the liquid thus offers high accuracy and much larger measurement range.

LE94 4-electrode conductivity / concentration sensor was designed for in-line or retractable installations with 3/4 inch NPT process connection or for hot-tap style insertion with 1-1/4 inch isolation valve.

316 SS electrodes material with 316 SS bodies (In-line) or SS316L (Hot tap) are suitable for most applications.

Measuring ranges are from 0~ 2,000,000 $\mu$ S/cm. Temperature compensation within the sensor ensures accurate measurement in changing processes.

A choice of PT100 / PT1000 temperature elements allows compatibility with all major brands of transmitters.

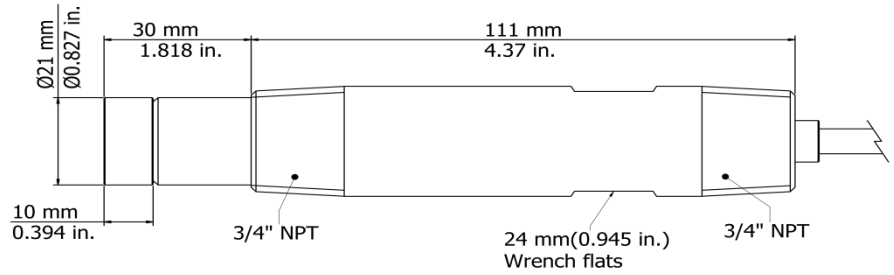
**LECOL**

## Specifications

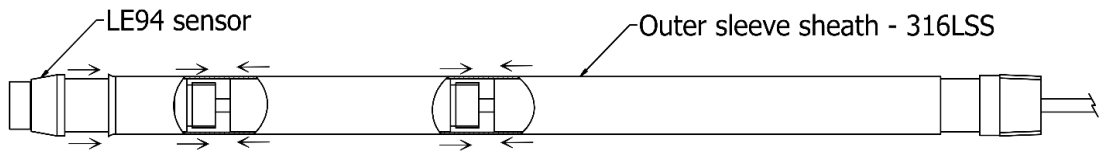
Measuring range:	0~2,000,000 $\mu\text{S/cm}$
Body material:	316 SS (In-line) / 316L SS (Hot tap)
Electrodes material:	316 SS
O-ring material:	Viton, FFKM (Optional)
Insulator material:	PEEK
Hot Tap style body Length:	16"(standard), 24", 32" and 36" (optional)
Temperature compensator:	PT100 / PT1000
Operating pressure:	< 10kg/cm <sup>2</sup> , In-line type < 6 kg/cm <sup>2</sup> , Hot tap type
Operating temperature:	< 200 °C, In-line type < 120 °C, Hot tap type
In-line mounting accessory (optional):	Flow chamber with FNPT threaded connection or flange connection flow chamber.
Retractable accessory (optional):	Isolation ball valve



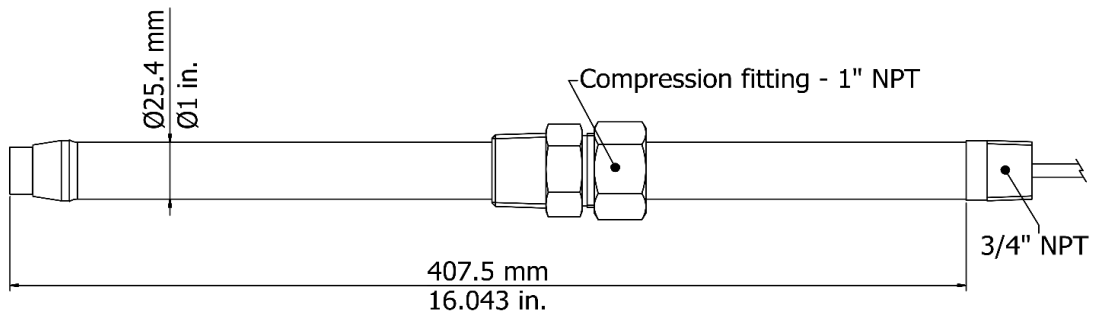
## Dimension



LE94 conductivity sensor assembly (In-line)

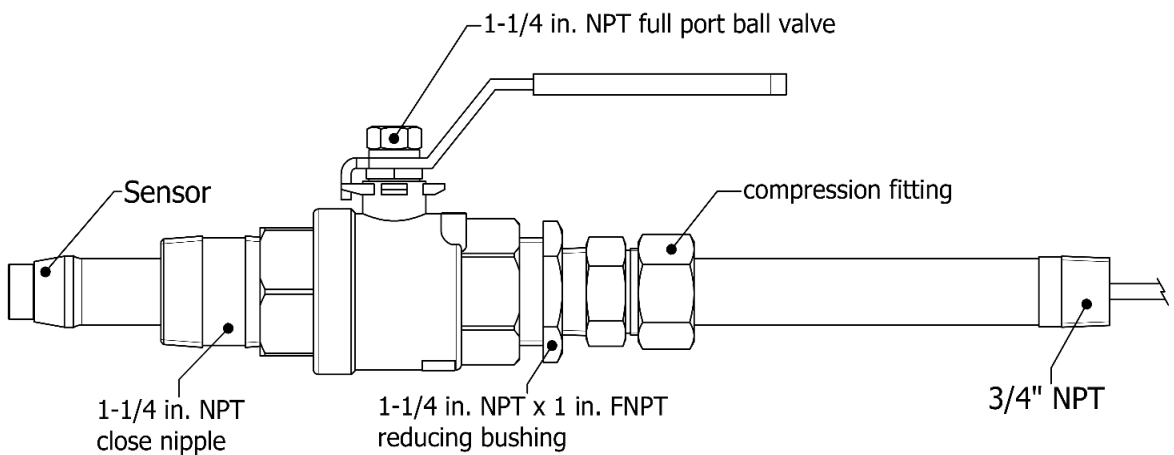


LE94 conductivity sensor assembly (Hot-tap)



LE94 conductivity sensor - 16" length

## Hot Tap insertion



LE94 conductivity sensor with isolation valve



## Ordering information

4-electrode Conductivity / Concentration Sensor Model: LE94		( _ )	( _ )	( _ )	( _ )	( _ )	( _ )
<b>A</b>	<b>Body style</b>	(A)					
0	In-line / Immersion type						
1	Hot-Tap insertion						
<b>B</b>	<b>Temperature compensator</b>		(B)				
0	None						
1	PT100, tinned leads						
2	PT1000, tinned leads						
<b>C</b>	<b>O-ring Material</b>			(C)			
0	Viton						
1	FFKM						
<b>D</b>	<b>Body Style</b>				(D)		
0	None, In-line / Immersion						
1	16 in. Hot tap	_____		P/N: LEIV-01			
2	24 in. Hot tap	_____		P/N: LEIV-02			
3	32 in. Hot tap	_____		P/N: LEIV-03			
4	36 in. Hot tap	_____		P/N: LEIV-04			
5	16 in. Hot tap, for higher temperature	_____		P/N: LEIV-11			
6	24 in. Hot tap, for higher temperature	_____		P/N: LEIV-12			
S	Customized length						
<b>E</b>	<b>Compressing fitting / O-ring , Hardware</b>					(E)	
0	None						
1	316 SS with Viton O-ring	_____		P/N: LECFSS-V			
2	316 SS with FFKM O-ring	_____		P/N: LECFSS-F			
3	Titanium with Viton O-ring	_____		P/N: LECFSS-V			
4	Titanium with FFKM O-ring	_____		P/N: LECFSS-F			
5	C276 with Viton O-ring	_____		P/N: LECFHS-V			
6	C276 with FFKM O-ring	_____		P/N: LECFHS-F			
<b>F</b>	<b>Isolation Valve</b>						(F)
0	None						
1	316 SS, 1-1/4 in. NPT (includes 1" to 1-1/4" reducing bushing & 1-1/4" nipple)	_____		P/N: LEIV-B01			
2	316 SS, 1-1/2 in. NPT (includes 1-1/2" to 1" reducing bushing & 1-1/2" nipple)	_____		P/N: LEIV-A01			
S	Customized Size						

\*LECOL reserve the right to make technical changes or modify the contents of this document without prior notice.

## Ordering information

<b>4-electrode Conductivity / Concentration Sensor</b>		(-)	(-)
<b>Model: LE94</b>			
<b>G</b>	<b>Cable length</b>		
0	No cable, Junction Box		
1	3M		
2	6M	(G)	
3	10M		
4	15M		
5	30M		
S	Customized length		
<b>H</b>	<b>Accessory</b>		
0	None		
1	316SS Flow chamber, 1/2 in. NPT connection	————— P/N:LEFC24-ST12	(H)
2	316SS Extension sleeve length 70 mm	————— P/N:LEX70	
3	316SS Extension sleeve length 125 mm	————— P/N:LEX125	

\*LECOL reserve the right to make technical changes or modify the contents of this document without prior notice.



### Luh Cherng Enterprises co., Ltd.

No. 42, Mei-shan Rd., Niasong Dist., Kaohsiung  
City 83346, Taiwan

TEL : +886 7 7336377 FAX : +886 7 7336353

E-mail : sales@lecoltw.com

Website : [www.lecoltw.com](http://www.lecoltw.com)

